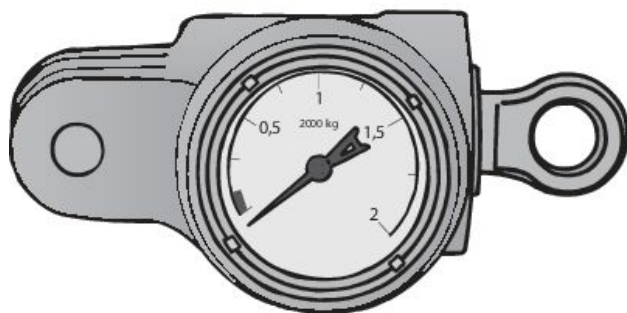


Load Indicator FI

Product information

General: Light and compact, fixed constructed gauges for measuring cable tension loads and tautness.



Part Code	Code	WLL ton	Graduation kg	A mm	B mm	C mm	Weight kg
02.99KMA5	KMA05	0.5	10	110	65	11	0.7
02.99KMA10	KMA10	1	20	135	65	16	0.8
02.99KMA20	KMA20	2	50	135	65	16	1.2
02.99KMA30	KMA30	3	50	150	80	28	2
02.99KMA50	KMA50	5	100	260	95	28	3

Blueprint

