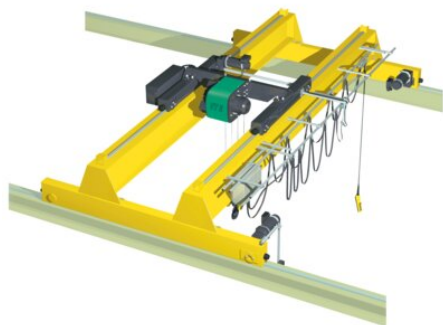


Overhead crane

Product information



Making any workplace accessible for hoisting work is simple with a rail system, jib crane, or overhead crane (bridge crane). Mennens equips every system with the necessary hoists, points, curves, etc. and options such as an extremely low rolling resistance. The result? An internal transport system that runs very efficiently, ergonomically, and flexibly.

Transporting loads of 100, 1,000, 10,000, 100,000 kg over a large working area in an instant? No problem! Looking for a specific design?

The Mennens Project Department will work with you to create a system that meets all your specifications and wishes.

If you have specific questions about specifications, applications, possibilities, assembly, etc., contact your nearest Mennens branch

... [Read more](#)
