

## Crane Dynamometer V-LINK

### Product information



Digital dynamometer with high efficiency and precision in all environments. The dynamometer is also ideal for wet, humid and harsh environments. Fast charging with standard USB charger. LED display is visible at long distances with big, red digits. With peak hold function, tare function and channel selection.

#### Specifications:

Accuracy:  $\pm 0,2\%$

Safe overload: 110%

IP Class: IP67

Display: Bright LED

Digit height: 14 mm

Digit colour: Red

Operating time: 16-20 hours (Low temperature will decrease the operating time)

Batteries: Built-in Li-on

Charger: High quality USB charger

#### Accessory options:

Wireless remote display (purchased separately, Art No.: (42352000B6VRTX)

The dynamometer can connect to an app which works in 7 different languages; English, German, French, Dutch, Spanish, Norwegian and Danish. The app is completely free to download from the App store and Google Play.

... [Read more](#)

**Material:** High strength steel housing.

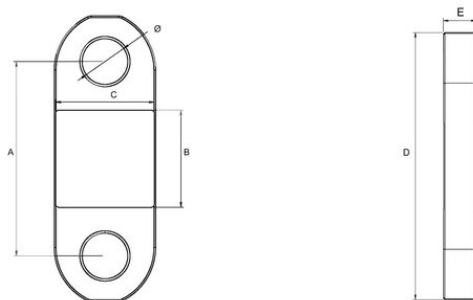
**Temperature range:** -20°C up to +50°C.

**Finish:** Fe/Zn12 chromite surface treatment according to ISO 2081.

**Safety factor:** 5:1

## Crane Dynamometer V-LINK

### Blueprint



### Technical data

Part code	WLL ton	A mm	B mm	C mm	D, mm	E mm	Ø mm mm	Weight kg
423500650230	6.5	200	115	117	260	41,5	31	4.47
423501200230	12	200	115	117	281	41,5	37,3	5.65
423502500230	25	230	115	117	338	41,5	54	7.56
423505500230	55	282	115	155	440	46	73	16.93